

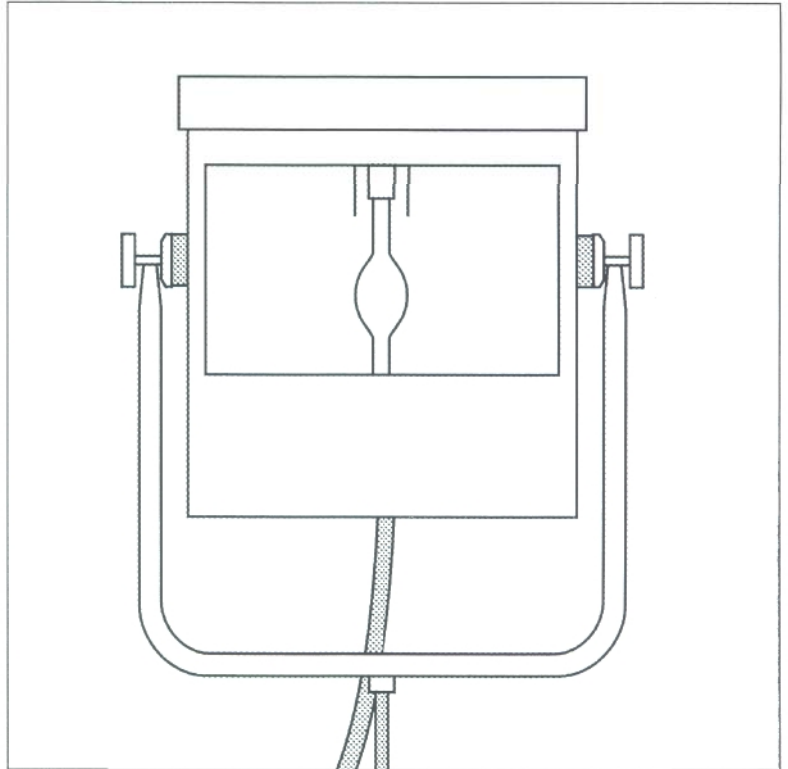


STUDIO SHADOW BOX

"Light Excitement"

F E A T U R E S

- Xenon lamp (4KW or 7KW) vertical mount
Ofor extended life
- Rugged design
- Yoke mount (included)
- Remote on/off control capability



Creative Application of Xenon Light Technology

The SHADOW BOX is offered and available as a specialty light source. Capable of creating large format, "crisp" edge shadow effects at extended distances, the system is designed to allow nearly all emitted output from the xenon lamp to create a unique shadow effect.



Arc Light Efx, Inc.
9338 San Fernando Rd
Sun Valley, Ca. 91352
Ph: 818-394-6330
Fax: 818-252-3486

www.arclightefx.com
arcsales@arclightefx.com

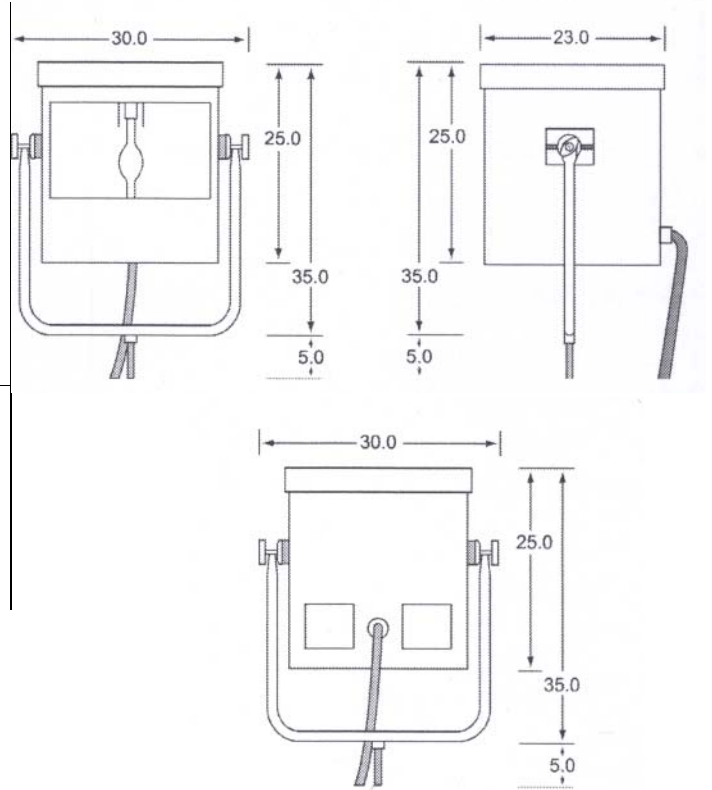


STUDIO SHADOW BOX

TECHNICAL SPECIFICATIONS

Color Temperature (xenon lamp)	5600°K (constant)
Operating Temperature	-18°C to +50°C (0°F to 120°F)
Cooling System	Forced Air
Peak Beam Candle Power	395 Million - 4K 795 Million - 7K
Front Aperture	19"x 12"
Weight of Fixture (only)	99 lbs.
Dimensions of Fixture (only)	25"H X 23"W X 22"D (yoke adds 10"H)

Type of Ballast	4000 watt	7000 watt
Weight of Ballast	95 lbs.	220 lbs
Termination	Camloc	Camloc
Input Voltage	208 - 230 VAC	208 - 230 VAC
Phase	3	3
Input Current	40 amps	30 amps
Output Voltage - DC	25 - 35	40-50
Output Current - DC	120- 145	130- 160



Specifications are subject to change without notice



Arc Light Efx, Inc.
9338 San Fernando Rd
Sun Valley, Ca. 91352
Ph: 818-394-6330
Fax: 818-252-3486

www.arclightefx.com
arcsales@arclightefx.com