



Strong Xenon Super Trouper II® (24000)

The most recent addition to the Strong line-up of spotlight products, this compact and versatile unit fills a major need in the market by producing 10% more light in a structure that is 20% lighter and 25% smaller than comparable units. The Super Trouper II features rock-solid construction for a steadier beam, controls that can be operated from either side, and a totally new optical system that delivers more performance punch.

It's Smaller

25% Smaller. Cramped lighting areas just got larger because the SuperTrouper II delivers a bigger punch in a smaller package. It's easier to use with controls located for operation from either side.

It's Lighter

Nearly 20% Lighter. A totally redesigned frame provides rigid construction for a steadier beam of light in a pack that's easier to troupe.

It's Brighter

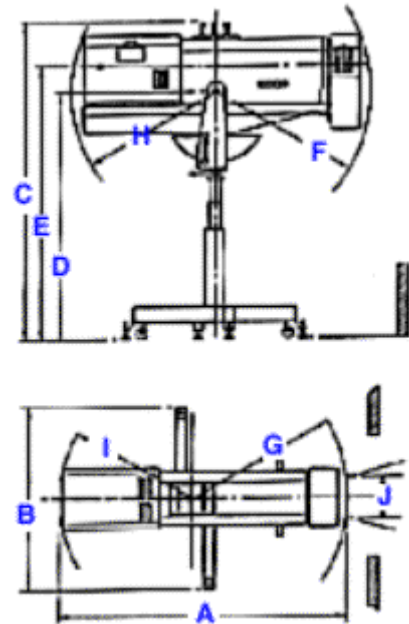
At least 10% Brighter. New optics and a super efficient deep-dish reflector combine to produce a substantially brighter light with a remarkably flat and even field.

Light Data: Variable Lens System Performance @ Various Distances

Throw Feet	Maximum Flood		Small Spot		Minimum Spot Diameter with Closed Iris	
	In Diameter In Feet	Foot Candles	Diameter	Foot Candles	Diameter	Foot Candles
50	11.0	636.0	3.6	5200.0	10	5200.0
100	22.0	159.0	7.2	1300.0	20	1300.0
200	44.0	40.0	14.4	325.0	40	325.0
220	48.0	32.9	15.8	262.6	44	268.6
250	55.0	25.0	18.0	208.0	50	208.0
300	66.0	18.0	21.6	144.0	60	144.0
360	79.2	12.0	25.9	100.0	72	100.0

- A. Overall length of unit ... 58"
- B. Overall width of unit at base ... 45"
- C. * Overall height of unit ... 64"
- D. * Height of pivot point ... 46.5"
- E. * Height of beam axis when hor ... 45"
- F. Front clearance radius for vert movement ... 33"
- G. Front clearance radius for hor movement... 34"
- H. Rear clearance radius for vert movement ... 29"
- I. Rear clearance radius for hor movement ... 26"
- J. Max height at rear with max downward tilt ... 55"
- K. Max height at front with max upward tilt ... 57"
- L. Diameter of beam at unit ... 8"

* Measurements shown with spotlight at lowest height. Spotlight base provides variable adjustment upward of 8 inches
 Maximum downward tilt ... 60°
 Maximum upward tilt ... 45°
 Horizontal sweep ... 360°
 Net weights
 Head...152 lbs.
 Stand & Yoke...77 lbs.
 Power Supply...67 lbs.
 Gross weight...582 lbs.



Mechanical

- "Cold Metal Reflector (can be matched for exact color temperature)
- Six Color Boomerang with Color Filters
 - Remote On/Off Control Circuit
 - Horizontal Masking Control
 - Nichrome Steel Iris
 - Spot Focus Adjusting Control
 - Manual Dimming Control
- Spot Size Control Handle with Edge Focus
- Two Elapse Hours Readings: "Bulb and Spotlight"
- Arc Viewing Port on Lamphouse Door

Electrical

- Solid State Switching Power Supply; 1-2 kW; Input Line 208/230 V.AC, single or th phase, 50/60 Hz. Fuse at 30 Amperes. Line draw approximately 20 A. sustaining.
- Solid State Switching Power Supply; 1-1.6 kW; Input Line 120 V.AC single phase. Fuse at 30 Amperes. Line draw approximately 25 A. sustaining.
- 120 V.AC lamphouse control circuit fed from Power Supply.
 - Power Supply is 88% efficient with minimum ripple, low inrush current. Includes thermal overload and brown-out protection.